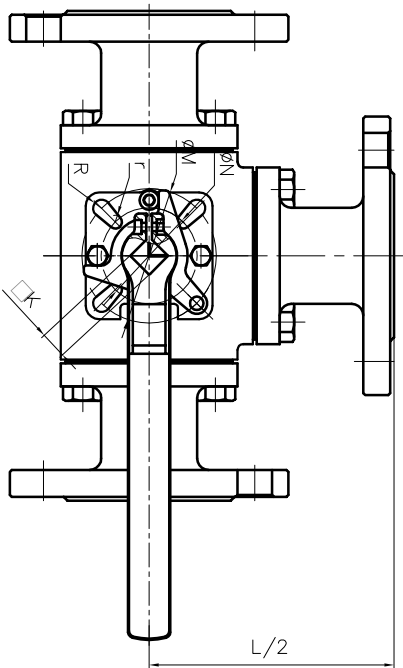
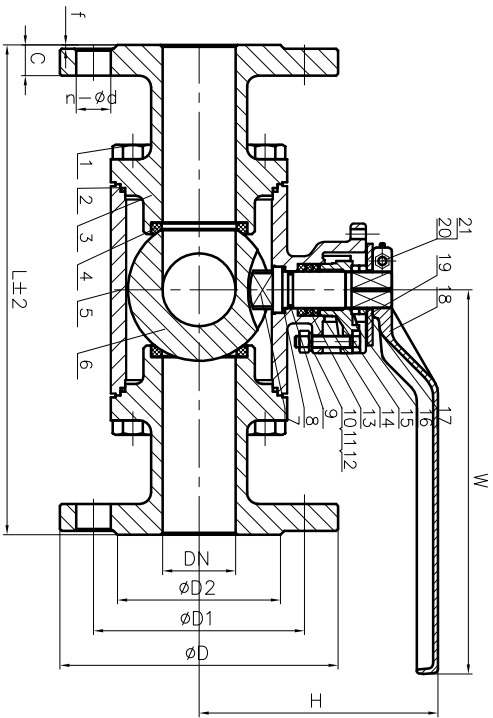


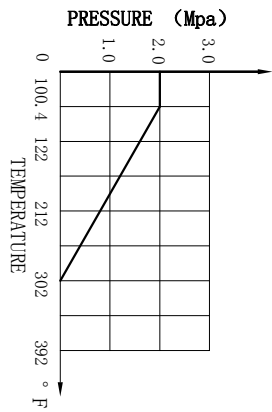
BVH44F6F/150



NPS	L	D	D1	D2	C	F	n-φd	H	W	K	M	N	R	r	Weight (lb)
1"	8.465	4.331	3.126	2.000	0.472	0.079	4-φ0.63	4.094	5.906	0.433	1.969	1.654	0.138	0.118	-
1 1/2"	10.039	4.921	3.874	2.874	0.591	0.079	4-φ0.63	4.921	7.874	0.551	2.756	1.969	0.177	0.138	-
2"	11.024	5.906	4.752	3.626	0.630	0.079	4-φ0.748	6.063	10.630	0.669	2.756	-	0.177	-	-
2 1/2"	12.205	7.087	5.500	4.126	0.709	0.079	4-φ0.748	6.378	10.630	0.669	2.756	-	0.177	-	-

- NOTE:
1. Design and Manufacture for valve according to ANSI B16.34-2009.
 2. Face-to-Face dimensions for valve according to ASME B16.10-2009.
 3. End Flange dimensions for valve according to ASME B16.5-2009.
 4. Inspection and Test for valve according to API 598-2009.

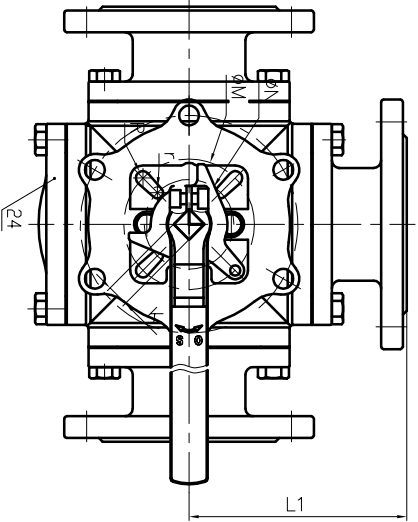
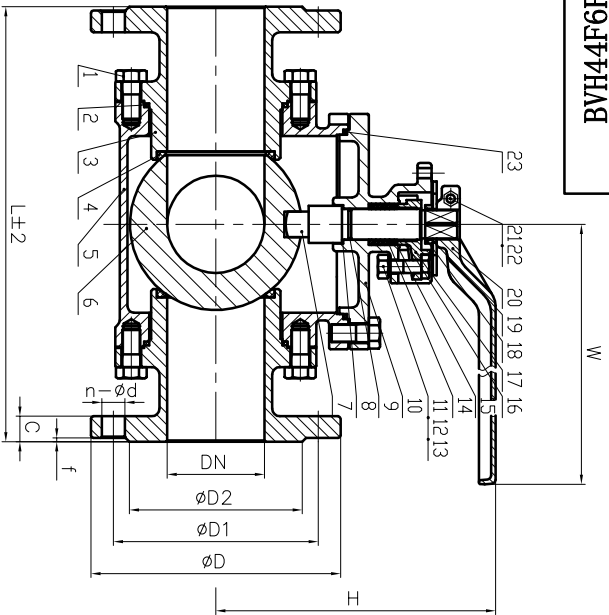
Nominal pressure		150LB	
Test pressure	3.0	Test medium	water
Test seal	2.2	Test temperature	normal temperature
Gas seal test	0.6	air	
Applicable medium	water,oil,gas		
Applicable temperature	-20-302°F		



21	NUT	1	A194 8
20	HEX SOCKET BOLT	1	A193 B8
19	STOPPER	1	SS304
18	HANDLE	1	STAINLESS STEEL
17	WASHER	1	PVC
16	GLAND	1	A351 CF8
15	BUSHING	1	PTFE
14	GASKET	1	SS304
13	PACKING	-	PTFE
12	NUT	2	A194 8
11	SPRING WASHER	2	SS304
10	BOLT	2	A193 B8
9	O-RING	1	VITON
8	STEM WASHER	1	PTFE
7	STEM	1	A276 316
6	BALL	1	SS316
5	BODY	1	A351 CF8M
4	SEAT	4	PTFE
3	BONNET	3	A351 CF8M
2	GASKET	3	PTFE
1	BOLT	-	A193 B8
NO.	DESCRIPTION	Q'TY	MATERIAL
ANIX®			
MARK BEFORE MODIFIED		AFTER MODIFIED	
MARK	DATE	DATE	SCALE
DRAW.			
CHK.	DATE		
ANIX VALVE USA			3 Way L Port
Ball Valve 150LB			BVH44F6F/150

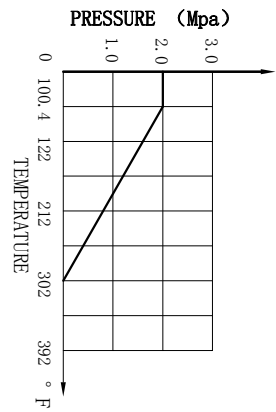
051/BVH4F6F/150

NPS	L	L1	D	D1	D2	C	f	n-φd	H	W	K	M	N	R	r	Weight (lb)
3"	13.386	6.693	7.480	6.000	5.000	0.748	0.079	4-φ0.748	8.583	12.598	0.669	4.016	2.756	0.217	0.177	
4"	15.354	7.677	9.055	7.500	6.189	0.945	0.079	8-φ0.748	9.724	19.685	0.866	4.016	2.756	0.217	0.177	



- NOTE:
1. Design and Manufacture for valve according to ANSI B16.34-2009.
 2. Face-to-face dimensions for valve according to ASME B16.10-2009.
 3. End flange dimensions for valve according to ASME B16.5-2009.
 4. Inspection and Test for valve according to API 598-2009.

Nominal pressure		150LB	
Test pressure	3.0	Test medium	water
Test seal pressure	2.2	Test temperature	normal temperature
Gas seal test	0.6	air	
Applicable medium	water,oil,gas		
Applicable temperature	-20~302°F		



NO.	DESCRIPTION	Q'TY	MATERIAL
24	BACK BONNET	1	A351 CF8M
23	GASKET 2	1	PTFE
22	NUT	1	A194 8
21	HEX SOCKET BOLT	1	A193 B8
20	STOPPER	1	SS304
19	HANDLE	1	STAINLESS STEEL
18	WASHER	1	PVC
17	GLAND	1	A351 CF8
16	BUSHING	1	PTFE
15	GASKET	1	SS304
14	PACKING	-	PTFE
13	NUT	2	A194 8
12	SPRING WASHER	2	SS304
11	BOLT	2	A193 B8
10	UPPER BONNET	1	A351 CF8M
9	O-RING	1	VITON
8	STEM WASHER	1	PTFE
7	STEM	1	A276 316
6	BALL	1	SS316
5	BODY	1	A351 CF8M
4	SEAT	4	PTFE
3	BONNET	3	A351 CF8M
2	GASKET 1	4	PTFE
1	BOLT	-	A193 B8

MARK	BEFORE MODIFIED	AFTER MODIFIED	DATE
DRAW.		APP.	
CHK.		DATE	

		SCALE	
		3 Way L Port Ball Valve 150LB	
ANIX VALVE USA		BVH44F6F/150	